

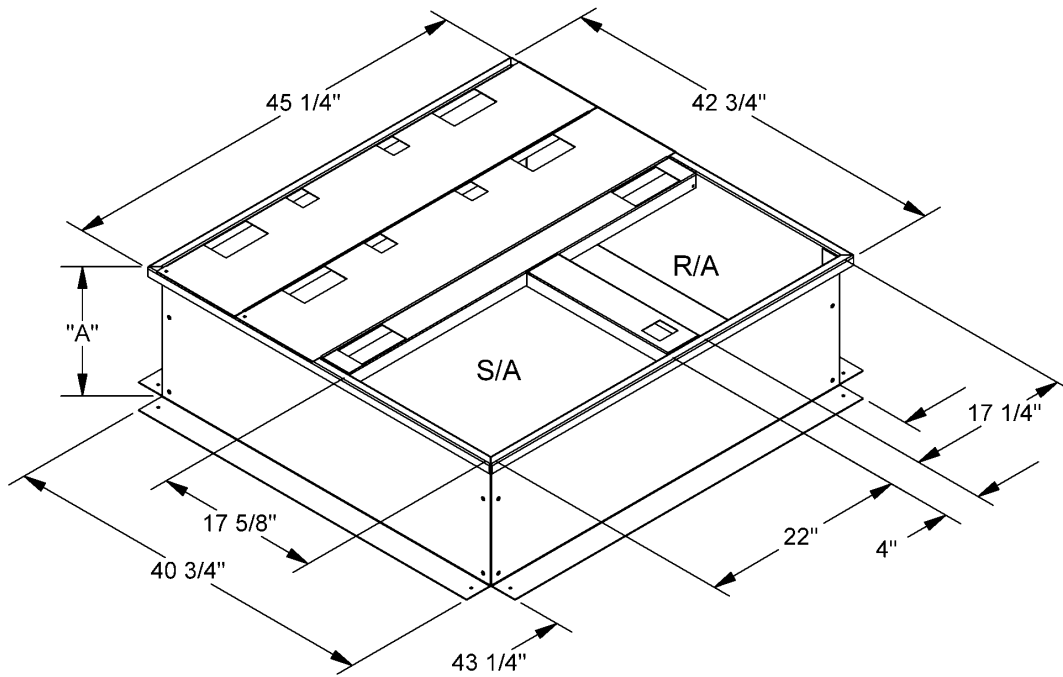
# Cambridgeport

## SUBMITTAL

SUBMITTED TO \_\_\_\_\_  
 COMPANY \_\_\_\_\_  
 JOB NAME \_\_\_\_\_  
 EQUIPMENT \_\_\_\_\_  
 SIGNATURE \_\_\_\_\_  
 DATE \_\_\_\_\_

**ROOF CURBS FOR YORK  
 ROOFTOP UNITS**  
 BHA, BHH, DEB, DEH, DNA, DNH 018-060  
 BHP, BHQ, BHX, BHZ 024-060  
 DEM, DEQ, DEX, DEZ, 024-060  
 DEY 060  
 DNP, DNQ, DNx, DNY, DNZ 024-060

| PART #  |         | PART #    | CURB HEIGHT |
|---------|---------|-----------|-------------|
| CAS     | YORK    | INSULATED | "A"         |
| 1000008 | 1RCO463 | 1003135   | 14"         |
| 1001802 | 1RCO449 | 1004351   | 8"          |
| 1000698 | N/A     | 1004352   | 18"         |
| 1000173 | 1RCO474 | 1004353   | 24"         |



## FEATURES

- MITERED TOP CORNERS
- ROOF CURB IS FABRICATED OF 18GA G90 GALVANIZED STEEL
- FULL PERIMETER WOOD NAILER
- PRE-PUNCHED ASSEMBLY HOLES AND HARDWARE INCLUDED FOR DUCT SUPPORT INSTALLATION
- ROOF CURB IS SHIPPED UNASSEMBLED
- \* CURBS ARE INTERNALLY INSULATED WITH 1" THICK 1-1/2 LB DENSITY DUCT LINER

