

Cambridgeport

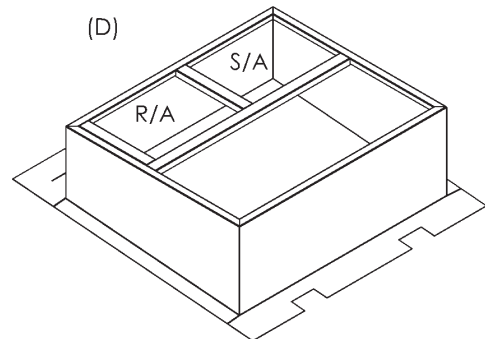
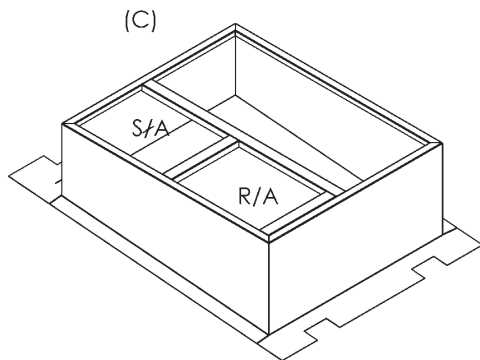
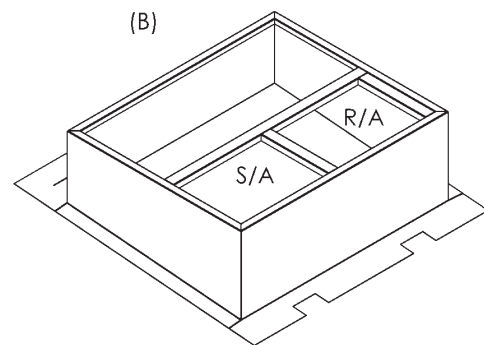
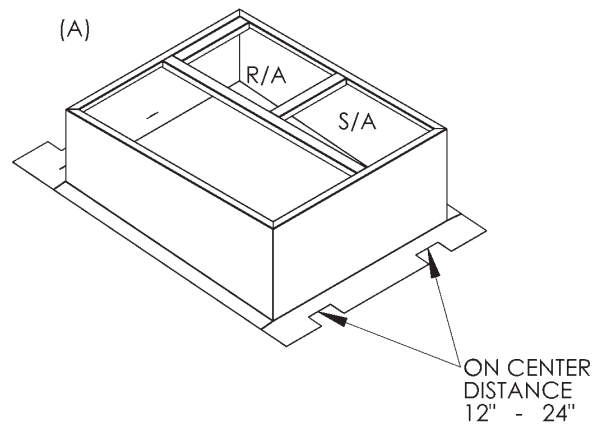
SUBMITTAL

SUBMITTED TO _____
COMPANY _____
JOB NAME _____
EQUIPMENT _____
SIGNATURE _____
DATE _____

ROOF CURB FOR METAL RIB / STANDING SEAM DECKS TRANE ROOFTOP UNITS

2/4 TC*/ WC*/ YC*3 018-036A

**PART #
1011816**



Confirm the slope direction and duct orientation by circling one of the four diagrams above.

A manufactures drawing and or sample of the roof deck is require.