

Cambridgeport

SUBMITTAL

SUBMITTED TO _____
 COMPANY _____
 JOB NAME _____
 EQUIPMENT _____
 SIGNATURE _____
 DATE _____

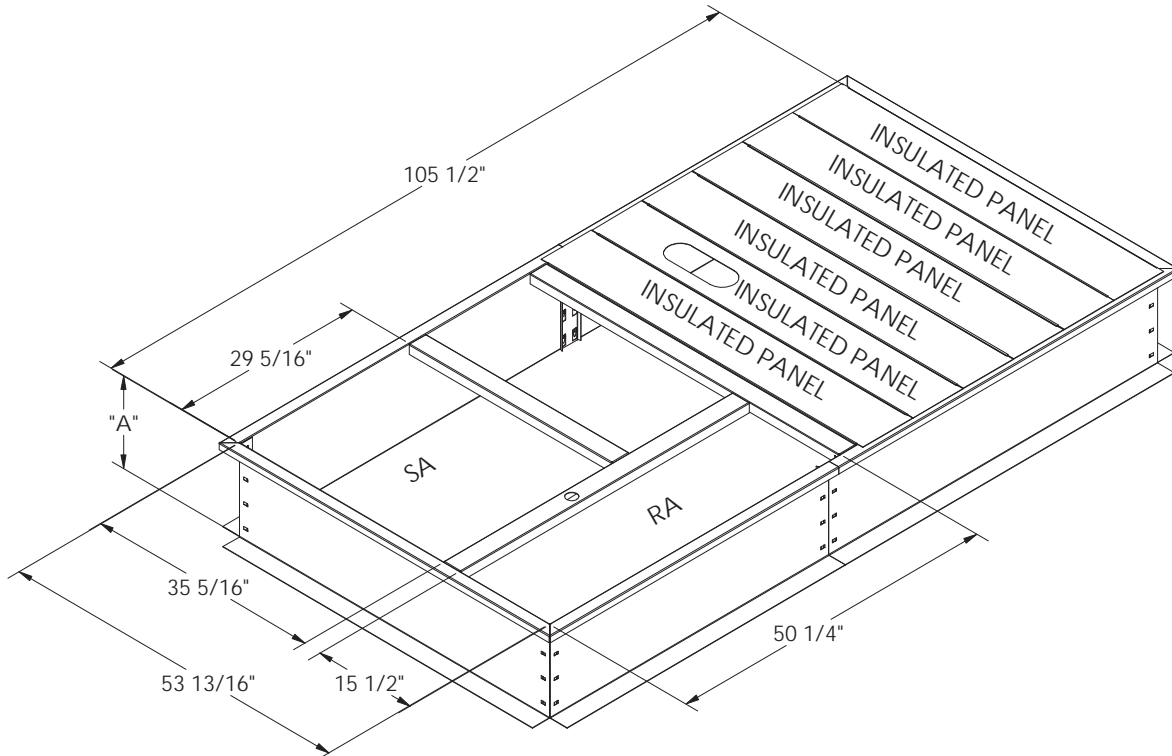
ROOF CURBS FOR BRYANT ROOFTOP UNITS

551J, 581J 14 ; 558J, 580J 16

ROOF CURBS FOR CARRIER ROOFTOP UNITS

48/50TC 16
48/50HC 14

CAS PT#	CAR/BRY PART #	CAS INSULATED PART#	CURB HEIGHT (A")
1017037	CRRFCURB074A00	1018310	14"
1017856		1017917	18"
1017042	CRRFCURB075A00	1018312	24"



MITERED TOP CORNERS
 ROOF CURB IS FABRICATED OF 18GA G90 GALVANIZED STEEL
 FULL PERIMETER WOOD NAILER
 PRE-PUNCHED ASSEMBLY HOLES AND HARDWARE INCLUDED FOR DUCT SUPPORT INSTALLATION
 ROOF CURB IS SHIPPED UNASSEMBLED
 CURBS ARE INTERNALLY INSULATED WITH 1" THICK 1-1/2 LB DENSITY DUCT LINER

