

Cambridgeport

SUBMITTAL

SUBMITTED TO _____
 COMPANY _____
 JOB NAME _____
 EQUIPMENT _____
 SIGNATURE _____
 DATE _____

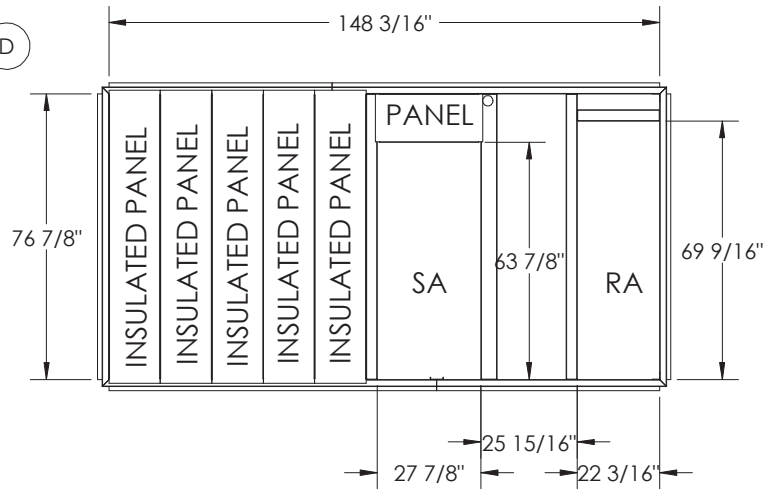
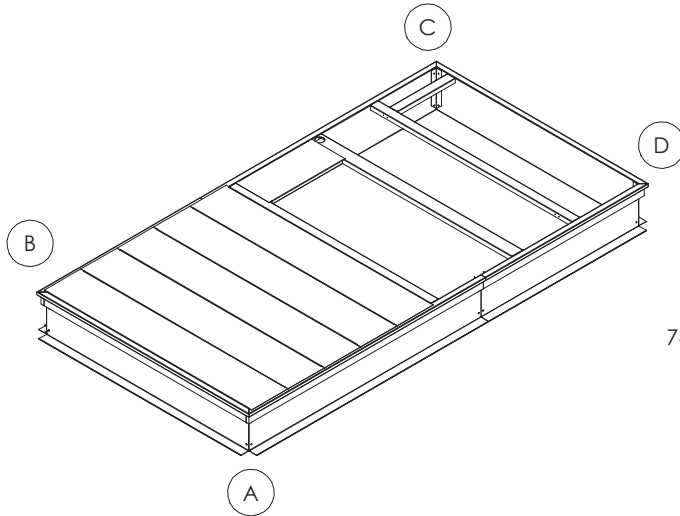
SLOPE ROOF CURB FOR BRYANT ROOFTOP UNITS

558J30 ; 551J28
 580J30 ; 581J28

SLOPE ROOF CURB FOR CARRIER ROOFTOP UNITS

48/50HC 28
 48/50TC 30

DESCRIPTION	PART #
Slope Roof Curb up to 2" per Ft.	1018294
Slope Roof Curb over 2" up to 3" per Ft.	1018295



FEATURES

- MITERED TOP CORNERS
- ROOF CURB FABRICATED OF HEAVY GAUGE GALVANIZED STEEL
- FULL PERIMETER WOOD NAILER
- PRE-PUNCHED ASSEMBLY HOLES AND HARDWARE INCLUDED FOR DUCT SUPPORT INSTALLATION
- ROOF CURB IS SHIPPED UNASSEMBLED

HEIGHT OF CORNER A	HEIGHT OF CORNER B	HEIGHT OF CORNER C	HEIGHT OF CORNER D